

# Digital Inverter Generator 2400i

Power - when you need it - where you need it



# Westinghouse

INNOVATION YOU CAN BE SURE OF

The Westinghouse 2400i digital inverter generator lets you take the power wherever you go. Whether you're caravanning or camping, backing-up your home mains electricity supply or working remotely on site, the 2400i offers you the ultimate in portable power convenience.

Innovative technology enables the 2400i to generate power with higher fuel efficiency, fewer emissions and less weight than a standard generator. Its clean and stable power output is safe for all of your electronic devices including TVs, computers and mobile phones.

## Features and Benefits

### Powerful

2,400 Watts maximum output - the highest in its class - lets you run more of your electrical devices.

### Compact and Lightweight

at only 20 kg, it can be easily carried by one person using the ergonomic non-slip handle.

### Quiet and Smooth

running from only 51 dB(A) so its operation won't disturb you, or your neighbours.

### Long Runtime

up to 24 hours achieved by the fuel-efficient engine and biggest-in-class 5 litre fuel tank.

### Easy To Use

yellow coloured touch points guide you to the controls required for normal operation.

### Mains Quality Electricity

from the digital inverter safely powers all of your sensitive electronic equipment.

### Clean Air Technology

using a 4-stroke petrol engine with the latest emission controls helps protect the environment.

### Plug and Play

convenience with everything you need supplied in the box including a dust cover.

### Warranty Protection

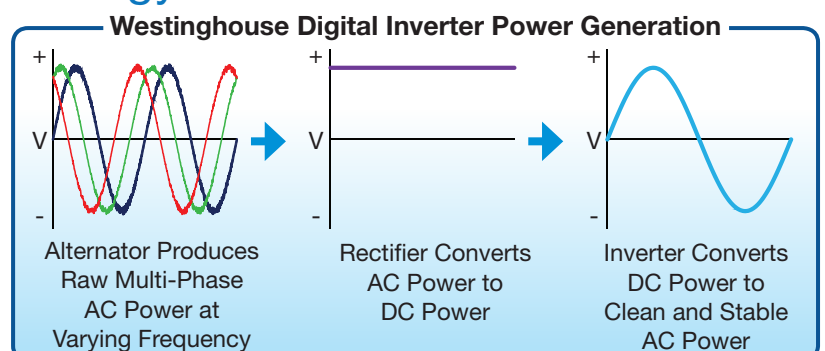
for two years of domestic use to safeguard your investment (conditions apply).



## Digital Inverter Generator Technology

The 2400i's pure sine wave power output is generated in a three-step computer-controlled process, unlike a standard generator that uses the raw power output from a hardwired alternator.

And whereas a standard generator's engine must run constantly at full speed, the 2400i's engine operates more efficiently by running at varying speed according to the power demand.





## Control Panel Functions

**Twin 240-Volt, 15-Amp Outlets** with hinged weatherproof covers for your convenience and safety.

**Generator Reset Button** can restore electrical output while the engine is running.

**Fuel Control Switch** is used to run-dry the engine before long-term storage.

**ECO Throttle Switch** activates auto-speed control to minimise fuel use and noise.

**Oversized Starter Handle** offers a sure grip for easy pull starting.



**12 Volt DC Outlet** powers 12V DC devices without needing an AC/DC adaptor.

**Generator Status Lights** provide at-a-glance indication of the generator's condition.

**Digital Display Meter** allows you to monitor the generator's performance. The meter shows Voltage (240 V), Engine Speed (4000 RPM), and Run Time (5.1 HRS).

**Digital Display Meter** allows you to monitor the generator's performance.

## Application Guide

The 2400i can individually power most portable electrical appliances, electronic equipment, hand-held power tools and lights that are normally plugged into a standard 240 Volt socket. For more detailed advice, refer to the consumer guides at [westinghouseoutdoorpower.com.au](http://westinghouseoutdoorpower.com.au)



## Specifications

| Engine                    |                           |
|---------------------------|---------------------------|
| Displacement & Type       | 79 cc, 4-Stroke OHV       |
| Fuel Tank Capacity        | 5 Litres, Unleaded Petrol |
| Fuel Level Gauge          | Yes                       |
| Auto-Speed Eco Throttle   | Yes                       |
| Auto-Prime Fuel System    | Yes                       |
| Run Time @ 400 Watts      | 16 Hours                  |
| Run Time @ 1,600 Watts    | 5 Hours                   |
| Low Oil Shutdown          | Yes                       |
| Muffler Spark Arrester    | Yes                       |
| Noise Level @ 400 Watts   | 52 dB(A) @ 7 Metres       |
| Noise Level @ 1,600 Watts | 61 dB(A) @ 7 Metres       |

| 240 Volt AC Electrical     |                           |
|----------------------------|---------------------------|
| Continuous Running Power * | 2,100 Watts               |
| Maximum Starting Power     | 2,400 Watts               |
| Continuous Running Current | 8.8 Amps                  |
| Alternator                 | Brushless, Perm. Magnet   |
| Voltage Control / THD      | Digital Inverter / < 2.5% |
| Overload Protection        | Electronic                |
| 12 Volt DC Electrical      |                           |
| Maximum Output             | 100 Watts (8 Amps)        |
| Dimensions and Weight      |                           |
| Length x Width x Height    | 50 x 34 x 44 cm           |
| Dry Weight                 | 20 kg                     |

\* Rated output at 1.0 power factor.



Power - when you need it - where you need it



Authorised Westinghouse Dealer



**Westinghouse**

INNOVATION YOU CAN BE SURE OF

[westinghouseoutdoorpower.com.au](http://westinghouseoutdoorpower.com.au)

Specifications are subject to change without notice.

2019-09-16